

Spotwave Product Bulletin

Ref: SpotCell New Coverage Unit Power Considerations
No: 201105.2

The latest version of the SpotCell 2500 Coverage Unit (PN 100-10097-01 Rev E) introduces new flexible powering options to assist with simplifying SpotCell installations.

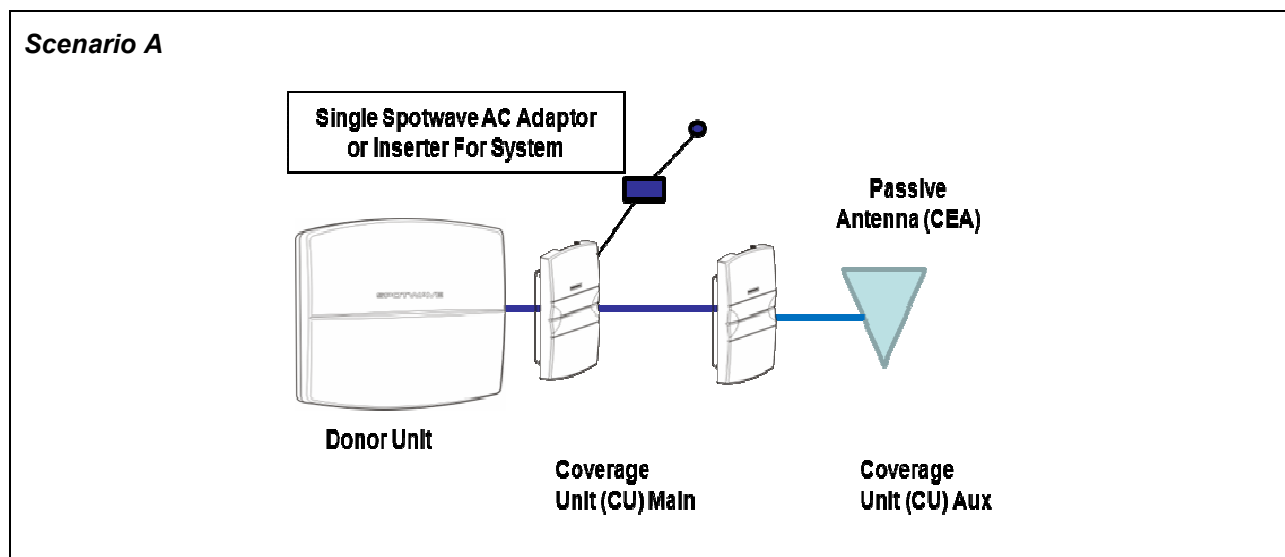
With the new Coverage Unit, shipping effective March 25th 2011, the second port (labeled '2') on the Coverage Unit provides DC power to the downstream Coverage Unit, removing the need for a dedicated power adaptor for the downstream Coverage Unit. The entire "leg" may be powered using a power adaptor connected to the Coverage Unit (as shown in the diagrams below) or to the Q-hub when used for the "primary" leg. A "leg" being defined as a combination of a 1 to 2 CU's and a CEA in serial connection.

With this new configuration, it is important that a maximum of one (1) power supply be used for each system "leg".

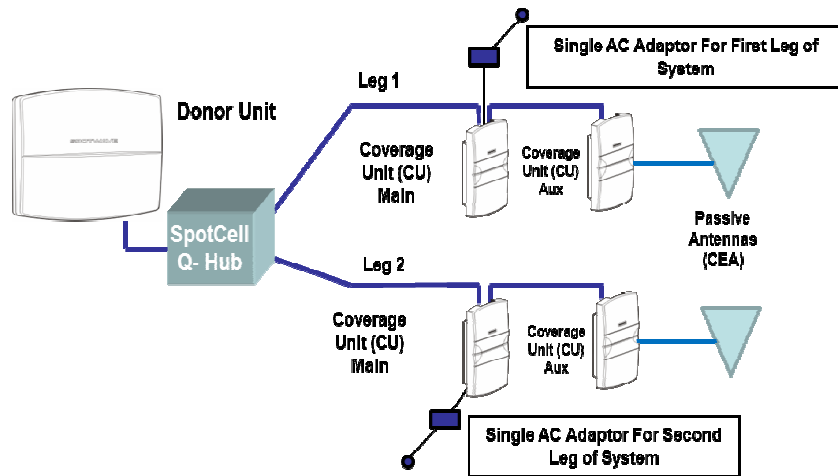
Consequently, the new Coverage Unit is now shipped without a 75 ohm load (or bulk head) on the second port.

Special Note: If a 75 ohm load is installed on the second port of the Coverage Unit, it will be subject to over heating.

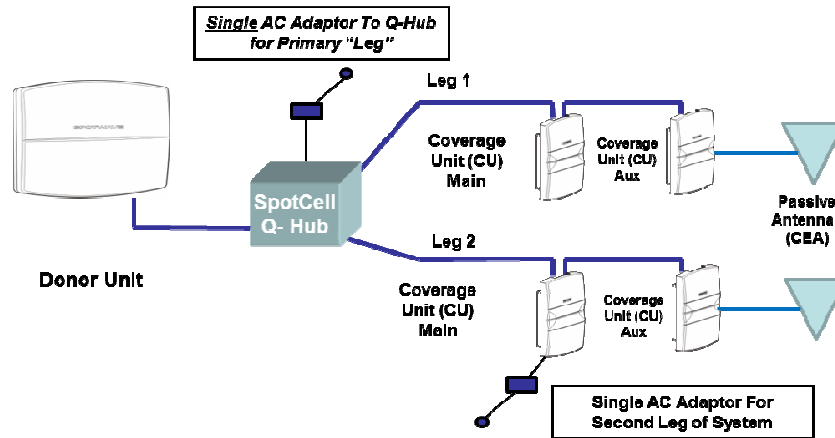
Supported SpotCell Power Adaptor Configurations



Scenario B



Scenario C



Spotwave Technical Support:

To contact Spotwave Wireless Customer Service and Support by telephone, call 613 216 2257

Additional support information may be obtained at www.spotwave.com